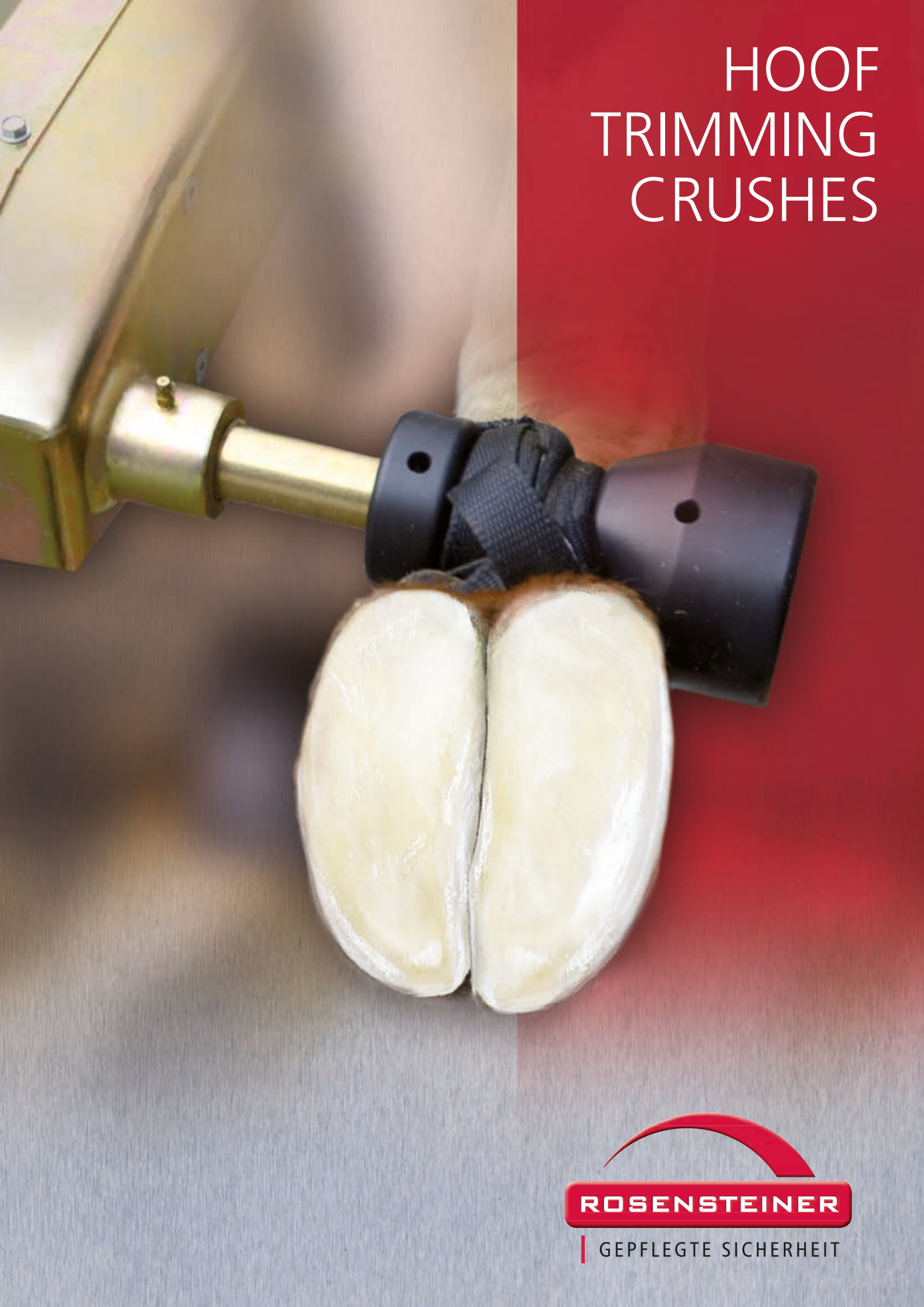


# HOOF TRIMMING CRUSHES



# KNOWLEDGE COOPERATION EXPERIENCE



## NETWORK

We have big goals. We don't see ourselves only a engineer who merely welds steel profile to equipment. We are rather a center of a network which continuously converts ideas to high-efficient solutions.

For this we keep relationship to customer, employees, sales partners, suppliers and veterinarians up to universities.

This network motivates each of each to do our best and to develop new ideas which in our research department continuously are processed to practicable innovations.

**Out of these innovations arise hoof trimming concept with highest standards.**

- leader in quality
- profitable work thanks to high working speed and durability of equipment
- comfortable for professionals and animals
- for sure far beyond normal standards
- efficiency in all aspects

**We meet these highest standards, so we have attained market leadership in many european countries and we would like to expand further.**

# COMFORTABLE GENTLE ERGONOMIC

The animals enter to the stand on a continuous even surface without steps and obstacles. The operation is simple and the position is comfortable for man and animal.

Only the tipping system offers a quick, clean and consecutive treatment of all four hoofs in ideal working height. Tools only need to be touched once. Interruptions for fixing of legs are omitted. The working space comprises only 2 m which minimizes unnecessary movements.

## Our tipping crushes provide

- clean working conditions, no dirt in working area
- additional check and treatment for udder and chest (tipping concept comes out from surgery technique)
- highest working comfort with verifiably low stress
- simple and quick lead-in thanks to even surface
- immediate relieve of hoof and joints for old animals

## 3 MODELS FOR EVERY DEMAND:

### RedQ

- The professional machine for highest demands of farmers and professional hoof trimmers
- Expenditure of time from lead in to treatment of hoofs less than one minute.
- Ideal also for sharing of machine

### RedQ Truck/Trailer

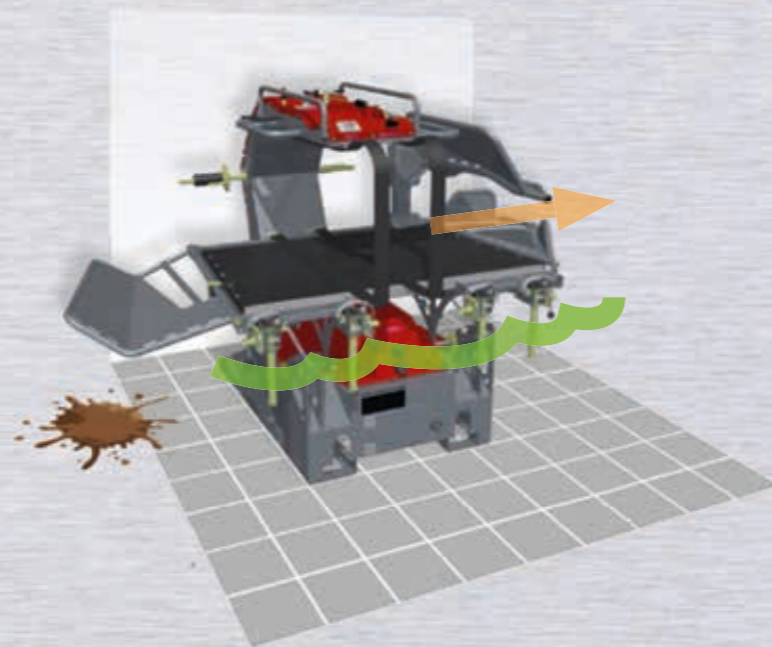
- The most flexible concept solution for professional hoof trimming.
- Very profitable thanks to low investment costs and high work speed.

### Kipp Top

- Proven for decades and available with different fittings.
- Ideal for farmers as integrated treatment place in the shed

THE  
TIPPING  
CONCEPT

AT THE  
LYING  
ANIMAL



# SIMPLE PROVEN FLEXIBLE

Our vertical crushes facilitate a working routine which is proven and tested in many countries at the vertical animal. They support professional work as they have been built to ergonomic needs of animals. By this ideal working heights for front and rear legs are assured.

Swivel-mounted front leg holders and 2-step rear leg lifting devices lead to a ideal working position and correspond to needs of various working techniques whilst providing a gentle treatment of the animals.

## Our vertical crushes provide

- functions which normally can be provided by expensive, hydraulic boxes
- highest ergonomic standards for gentle treatment
- Vertical working position for hoof trimmer

## 3 MODELS FOR EVERY DEMAND:

### Red5

- The vertical crush which facilitates, simplifies and speeds up work
- Highest performance for the farmer
- Innovative catching devise for any cattle – even horned ones

### Top5

- The 1000-fold proven and tested crush for dairy cattle
- Corresponds in ideal mode to the 5 steps of functional hoof trimming

### BullTop

- The robust vertical crush for beef cattle and stud bulls up to 1400 kg.
- In well-known Rosensteiner comfort and safety

THE  
VERTICAL  
SYSTEM

AT  
UPRIGHT  
ANIMAL



# THE REVOLUTION FOR HOOF TRIMMING CRUSHES



## SPEED AND SAFETY

The processes for lead-in, fixing and tipping are monitored via a central switch-board. The hydraulic head catching device adapts to every position of the head. The hydraulically operated pushing gate brings the animals in the perfect position.

The catching device closes hydraulically. All service elements are arranged centrally within easy reach which results in an extraordinary comfortable and time-saving operation.

Outstanding and quick, the complete fixing of an animal including all four legs is done in **less than one minute (!)** And the most congenial is that it happens without stress and effort.

Very useful are the central switchboard and the toolbox. Three plugs and holders for two angle grinders and two knives provide a tidy working place with short distances.



### Our customers appreciate:

- Catching, driving and belt tightening without effort
- In less than one minute all four legs are ready from trimming.
- Very short distances – the whole working space only comprises 2 meters for treatment, service and tool placement.

## TECHNICAL DATA

outer dimensions (L/W/H)	2030/2100/2300 mm (transport mode)
recommended animal size	Wither height: 1750 mm Shoulder width: 750 mm live weight: 300-1000 kg
support	3-point-hitch cat II, fork lift support 4-sided
transmission	electrohydraulic 230V/2,2 kW
lying area	rubber mat Cow Comfort 30 mm
surface	fire galvanized, powder-coated
net weight	920 kg
lifting power	1200 kg

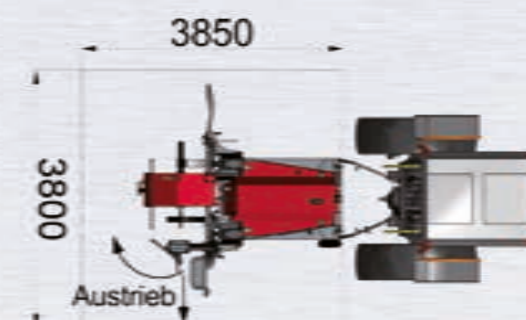
### Serial equipment

- hydraulic pushing gate
- hydraulic head-catching device
- hydraulic belly belt tension
- hydraulic lifting pannel
- toolbox with tool holder for 2x Flex, 2x knives and 3 plugs
- 3-point hitch cat II
- fork lift support 4-sided
- 4 leg restraint with snap closing, stepless height-adjustable, self-locking; stable and soft rubber devise
- Fixing points for stationary version

### Complementary equipment

- 4 pneumatic-tired plug-on wheels, for hand transport and trailer transport + lifting axle
- holder for leading gate
- leading-gate „hoof trimming comfort“
- adapter for fork lifter and tractor
- illumination LED spots 230V

### Space requirement



## Leg holder RedQ

A completely new concept facilitates a quick and safe fixing of the legs without effort in only a few seconds whilst treating the animals gently. The holders can be readjusted at any time and loosened within seconds.



# KIPP TOP

## THE ERGONOMIC TREATMENT SYSTEM

### THE WELL-PROVEN BASIC MACHINE FOR YOUR ECONOMIC SUCCESS!

The animals are gently and safely fixed by wide belts. Power-saving worm gears and hydraulic belt tensioner provide safe position. The catching devise which is activated via cable facilitates a comfortable and safe fixing of the animal.

The ergonomic lay-out provides a gentle treatment of the animal and a convenient working position at the same time. The Kipp-Top is suitable for dairy and beef cattle in equal measure. The catching devise is also designed for horned animals.

The DLG Signum test stands for quality and function and assures safety for user.



#### What our customers like:

- All four hoofs are simultaneously in comfortable working position.
- The Kipp-Top facilitates a cost-effective introduction to the comfortable tipping system.
- A perfect treatment equipment with well-proven and simple operation.



### TECHNICAL DATA

outer dimensions (L/W/H)	Basic: 2200/1900/1900 mm (with service arm: H=2500mm)
recommended animal size	300-1000 kg live weight
support	Quick-fitting coupling shaft cat II
transmission	elektrohydraulically 230V/1,8kW
surface	Fire galvanized
net weight	546-633 kg

#### Serial equipment Basic:

- complete frame galvanized
- electrohydraulic transmission 220V/1,8 kW
- catching devise
- complete belt system
- lying area with rubbermat and should cushions
- Cat II 3-point-hitch cat. II
- swivable head frame
- 4 leg restraints with snap closure, stepless height-adjustable, self-locking, stable and soft rubber devise

#### Equipment packages/complementary parts

##### Comfort:

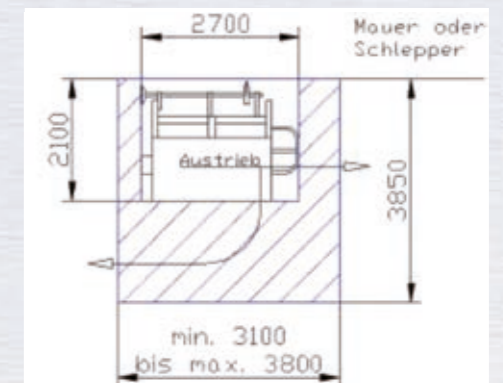
- hydraulic belt tensioning

##### Professional:

- hydraulic belt tensioning
- service bracket with control unit for all operational functions

Additional and usefull complementary parts at: [www.rosensteiner.at](http://www.rosensteiner.at)

#### Space requirement





# THE VERTICAL CRUSH FOR MAXIMUM EFFICIENCY



## GENIOUS SIMPLE QUICK

The Red5 is optically a further development of the proved and design-awarded Top 5 but from technical point of view a complete innovation. This treatment stand is suitable for usage in leading gates as well as for manual lead-in with headstall.

The revolutionary catching device opens over the whole width of the frame and suits so to dairy and beef cattle. Front and rear leg winches can be operated electrically. The remaining necessary power is limited to max. 10 kg. The time effort for leading-in and fixing of animals has been reduced by half of the time.

The hoofs are quickly and gently brought into a position which is comfortable for man and animal. By this normally the first leg within 50 seconds is in the desired position in about 70 cm working height at the front leg and in about 1,10m at the rear leg.

The working space is simple and tidy, all operations are logical and target-driven. The proven 2-step-lifting of the rear leg keeps animals quiet and provides ideal working height.

With the Red5 we managed to develop an unique hoof trimming crush which compares to expensive over-dimensioned and over-mechanized boxes regarding performance but by far more economic and user-friendly.



### What our customer like:

- The revolutionary and completely opening catching device for all cattle.
- A working speed which till now has not been achieved. A sensational performance for a fantastic price.

## TECHNICAL DATA

outer dimensions (L/W/H)	2400/1110/2300 mm
recommended animal weight	450-950 kg live weight
support	3-point-hitch cat II, fork-lift support at head end
electric supply	380V, 50Hz
surface	Fire galvanized, powder-coated
net weight	540 kg

### Serial equipment

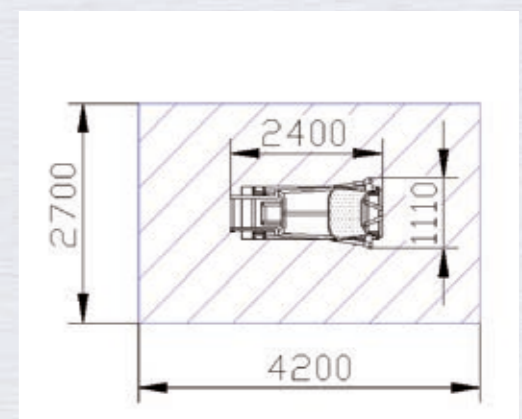
- electric rear leg lifting, 500 kg
- Elektric front leg lifting, swivable
- service arm with light and flex holder
- anti-slide rubber floor
- electrically operated head catching devise
- lower rear leg restraint
- rear leg restraint with ergonomic joint belt
- quick-snap chest belt
- 3-point-hitch with upper-link chain
- complete frame galvanized

### Complementary parts

- hand transport wheels



### Space requirement



# TOP 5

## THE CLASSIC HOOF CRUSH FOR DAIRY CATTLE

The top 5 treatment stand facilitates the 5 basic steps for professional hoof treatment in a unique way. Built around the animal in a highly ergonomic shape to assure safety for man and animal.

The Top 5 eases every professional his preferred working technique, regardless whether he uses knives or an angle-grinder, with or without leg holders. Ergonomically designed and fixed leg holders take the anatomy of the animals into account and deliver the claw in the optimal working position.

### TECHNICAL DATA

<b>Top 5 Basic (LxWxH)</b>	2400 x 1250 x 2005 mm (outer dimensions)
recommended animal size	400 - 900 kg life weight
hitch 3-point	Cat I
electric supply	230V
surface	galvanized
net weight	395 - 477 kg

#### Serial equipment:

- Complete hardware from iron steel, galvanized
- Anti-slide rubber platform
- Complete head catching devise
- Front leg winches left and right
- Rear leg lift via winch
- lower leg bow at rear
- Safety elements (belts, ropes)
- 3-point hitch + upper link
- lateral protection

#### Equipment packages:

##### Basic:

- serial equipment

##### Comfort:

- electrical rear leg lift 500 kg

##### Professional:

- electrical rear leg lift 500 kg
- Cantilever service arm with light (LED)
- lateral hinged locker bars

#### Complementary parts:

- hand transport wheels



#### What our customer like:

- The crush for every dairy farm and hoof trimmer
- Ergonomic working position for hoof trimmer
- Economical



# BULL TOP

## THE CLASSIC FRAME FOR BULLS

By the Bull Top also savage animals are caught comfortably and safely. Thanks to its compact construction even nervous animals cannot escape the treatment.

The thousand-fold proven and tested front leg restrains facilitate easy treatment. Modern pressing rolls and safety cranks assure slow lowering even under charge.

### THE BULL TOP IS AVAILABLE IN 2 SIZES

#### TECHNICAL DATA

<b>Bull Top Basic S</b>	2,15 x 0,80 x 1,80 m (inner dimension)
<b>Bull Top Basic M</b>	2,15 x 0,90 x 1,80 m (inner dimension)
recommended animal weight	700 - 1500 kg life weight
passage width	80 / 90 cm (S/M)
surface	fire galvanized
net weight	548 / 580 kg (S/M)

#### Serial equipment:

- complete frame galvanized
- head-catching devise „Head Gate“ – hand crank or automatic front leg-lift winches, swivable towards left and right
- 2-step rear leg lifting
- lower rear leg bow with safety bow
- safety elements (chest belt with winch, knee and shank chain-tube)
- anti-slide hygienic rubber mat
- restraining bar
- support for weighing cells

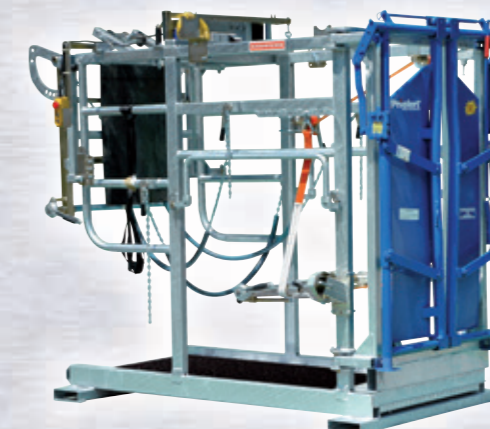
#### Complementary parts:

- Electric rear leg lifting 230V/500kg
- Service arm without light
- Service arm with light
- hand transport wheels



#### What our customers like:

- Safety also with heavy and savage animals.
- The Head Gate, the classic catching devise from USA
- attractive equipment up to the service arm



**SANI TOP**

**ANIMAL-FRIENDLY**  
**A HELPING HAND**  
**INTELLIGENT**



**What our customers like:**

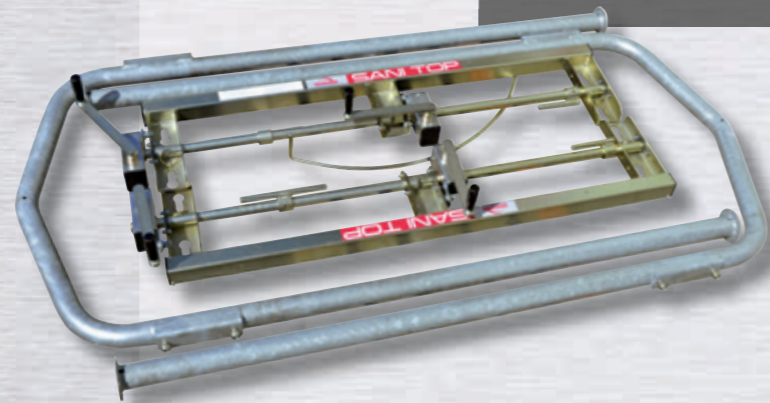
- In a lot of cases animals can be saved
- The animal lifter can be assembled and disassembled easily and quick
- Low space requirement for transport and storage

**MORE LONGEVITY - MORE PROFIT**

A proven tool to reduce losses by sick-lying cows is a „animal lifter“. Such animals are right up and the circulation start to work again, animals are again able to pass water and can be milked again. This also facilitates the diagnosis for the vet.

**Sani Top 5**

With additional pelvis belt and a fifth worm-gear.



**LEADING FENCE SET**

**LEADING FENCE SET**  
**“HOOF TRIMMING COMFORT”**

- leading-gate set is a practical and versatile solution for handling dairy cows
- Easy to set up and transport
- The leading-gates are an ideal solution being for mobile crushes as well as for integrated in-stable lay-outs
- individually configurable

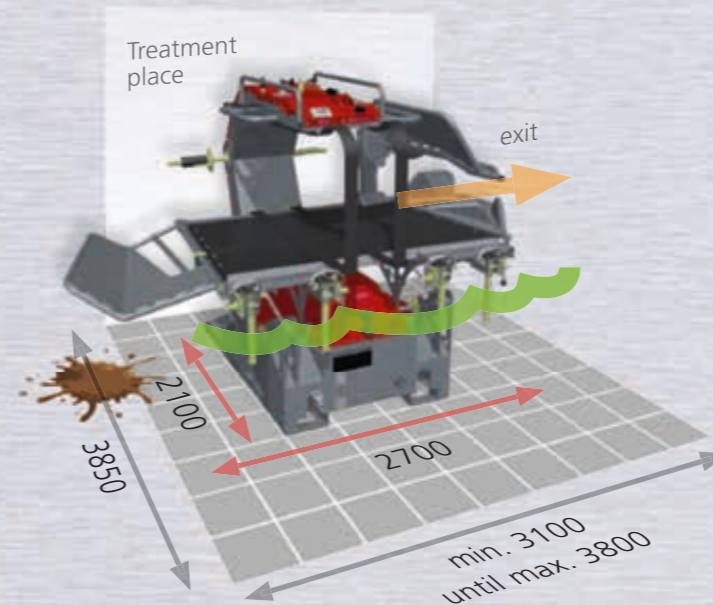


**TREATMENT PLACE**

A separate treatment place can be installed quickly. By this at any time necessary measures and examinations can be carried out easily.

A check list „the well organized cattle treatment place“ can be downloaded from our homepage. [www.rosensteiner.at](http://www.rosensteiner.at)

**The tipping crush**



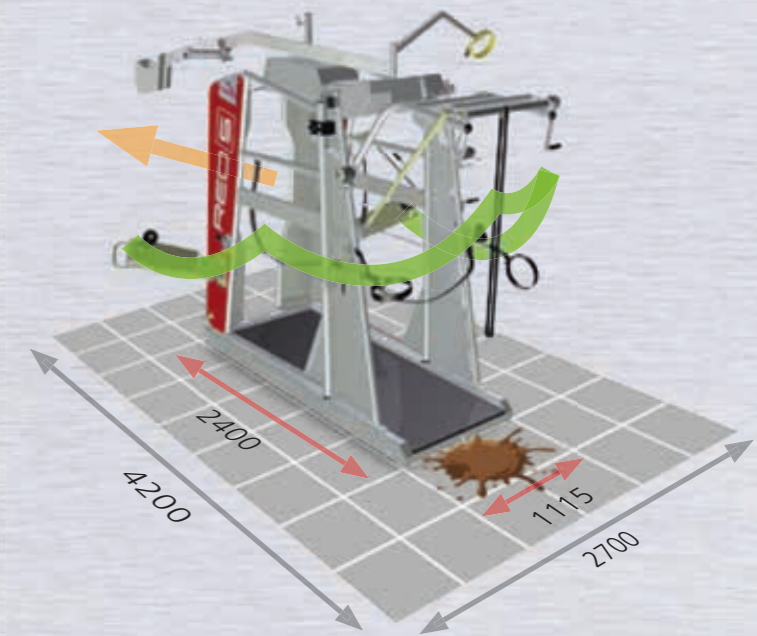
**TIME-SAVING**  
**POWER-SAVING**  
**STRESSLESS**



**What our customers like:**

- Reduced stress at hoof trimming and increased performance and safety
- Quick set-up without usage of tools
- Low space requirements for storage and transport.
- low weight

**The vertical crush**





# INTERNATIONALLY CERTIFIED AWARDED

Awards of acknowledged organizations for technique, safety and design.



Advanced training and cooperation are our principles. Research activities far beyond average guarantee progress.

Strict selection of suppliers under consideration of regional partners assure high quality standards and environment protection by keeping transport distances short.

#### WHAT ROSENSTEINER INTERNATIONALLY MAKES A BRAND:

Rosensteiner hoof trimming crushes grade up your work to a professional one with maximum comfort and safety. The user-friendly machines increase performance and efficiency. Carefully selected and highly qualified sales partner guarantee reliability and service within reach. This enhances quality and satisfaction of hoof trimmers, vets, farmers and even of animals!

A well thought and first-class made!  
Gut durchdacht, erstklassig gemacht.



**Rosensteiner GmbH**

A-4596 Steinbach/Steyr - Zehetner 26a

Tel. +43 (0) 7257/7071

Fax +43 (0) 7257/7071-4

info@rosensteiner.at

**[www.rosensteiner.at](http://www.rosensteiner.at)**